

# MR F57B



# Cobra MARINE®

## CLASS-D FIXED MOUNT VHF RADIO

The latest in Class-D Digital Selective Calling (DSC) Technology.

### **Submersible**

Designed to IPX8 (JIS8) standards.

### **Rewind-Say-Again®**

Replay missed VHF calls. Automatically records the last 20 seconds with a digital voice recorder.

### **PA Output**

PA function for public address to external speaker.

### **All NOAA weather channels**

Instant access to national All Hazards and weather information, 24 hours a day.

### **Softkey Operation**

Easily make calls, activate advance features and navigate through menus.

### **Automatic Radio Check**

Checks battery voltage when transmitting, RF power output, and antenna output.

### **Flush mount kit included**

Everything you need for quick and easy install.



[www.cobra.com](http://www.cobra.com)



# MR F57B

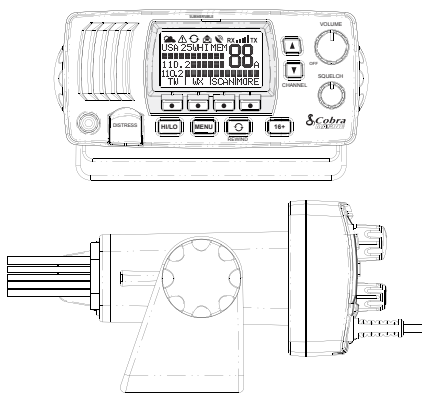
## Features

## Benefits

|  |  |
|--|--|
| <b>DSC (Digital Selective Calling)</b>             | Compliant with the latest FCC specifications for Class-D VHF Radios. Digital Selective Calling allows you to send a distress signal at the touch of a button or exchange position information with other boats or stations. DSC features on this Class-D radio include; A Dedicated Channel 70 (DSC Channel) Receiver, GPS Position Display Capability, Illuminated Distress Button, Easy MMSI Entry, Position Send and Request, Position Input Reminder, Coast Guard DSC Check Capability, etc. |
| <b>1 or 25 Watts</b>                               | Dual output power for short and long communication.  |
| <b>U.S.A., Canada &amp; International Channels</b> | Allows operation on any of the three (3) different channel maps established for these areas.   |
| <b>Rewind-Say-Again®</b>                           | Replay missed calls. Automatically records the last 20 seconds of incoming radio transmissions. Handy when in noisy conditions.  |
| <b>10 NOAA Weather Channels</b>                    | Instant access to national all hazards and weather information, 24 hours a day.  |
| <b>Weather Alert</b>                               | Alerts with an audible tone and visual alarm if threatening weather is nearby.   |
| <b>Automatic Radio Check</b>                       | Checks battery voltage when transmitting, RF power output, and antenna output.   |
| <b>Instant Channel 16/9</b>                        | Instant access to channel 16 and channel 9 for emergency situations.   |
| <b>GPS Capability</b>                              | Plug-and-Play using the new C.P.S. (Cobra Positioning Systems) external GPS. No other connections required. You can send your position information in case of emergency, or exchange position information with other boats.  |
| <b>Tri-Watch</b>                                   | Monitors three (3) channels at once - Channel 16, Channel 9, and one (1) user selected channel.  |
| <b>Scan / Memory Scan</b>                          | Scan all channels to find conversations in progress, or scan channels placed into memory.  |
| <b>Channel Names</b>                               | Friendly VHF channel names under the channel number.   |
| <b>Signal Strength Meter</b>                       | Shows the strength of incoming signal.   |
| <b>Illuminated Keys</b>                            | Allows high visibility of keys.  |
| <b>Illuminated LCD Display: Large</b>              | Allows high visibility of display.   |
| <b>Noise Canceling Microphone</b>                  | Blocks background noise.   |
| <b>External Speaker and PA Speaker</b>             | Connect an external speaker and a PA (Public Address) speaker.   |
| <b>NMEA In and Out</b>                             | NMEA in for GPS input. NMEA output to display other vessels and their information transmitted by DSC on your chartplotter.   |
| <b>Submersible</b>                                 | Meets JIS8 standards; Submersible for 30 minutes in one meter deep water.  |
| <b>External Alarm Input</b>                        | Senses the alarm from your chartplotter and uses the speaker on the radio to amplify the alarm for waypoint arrival, MOB, etc.   |
| <b>3 Year Warranty (on radio)</b>                  | For products sold in the U.S.A.  |

## Included Accessories

|                                      |  |
|--------------------------------------|--|
| <b>Flush &amp; Surface Mount Kit</b> | Easy installation of radio in or on almost any flat surface. |
| <b>GPS Interface Cable</b>           | Allows connection of a GPS receiver or NMEA 0183 devices.    |



## Unit Specifications General

|                    |  |
|--------------------|--|
| Number of Channels | All: U.S.A., Canadian, International<br>10 NOAA Weather Channels |
| Channel Spacing    | 25 kHz   |
| Modulation         | 5 kHz Max.   |
| Input Voltage      | 13.8 VDC   |
| Current Drain:     |  |
| Stand-by           | 200 mA   |
| Receive            | 300 mA   |
| Transmit           | 5 A @ High Power<br>1 A @ Low Power                              |
| Temperature Range  | -20°C to 60°C  |
| Unit Dimensions    | 6.25" x 2.25" x 7.125"<br>(159 mm x 57 mm x 180 mm)              |
| Unit Weight (Lbs)  | 2 lbs., 6.8 oz. (1100 g)   |

## Receiver

|                 |                                       |
|-----------------|---------------------------------------|
| Frequency Range | 156.050 to 163.275 MHz                |
| Receiver Type   | Double Conversion<br>Super-Heterodyne |
| Sensitivity:    |                                       |
| 20 dB Quieting  | 0.35 µV                               |
| 12 dB Sinad     | 0.30 µV                               |
| AF Output       | 4 Watts @ 8 Ohms                      |

## Transmitter

|                      |   |
|----------------------|---|
| Frequency Range      | 156.025 to 157.425 MHz                    |
| RF Output Power      | 1 or 25 Watts                             |
| Spurious Emissions   | -75 dB @ High Power<br>-72 dB @ Low Power |
| Microphone Type      | Electret                                  |
| Microphone Impedance | 2000 Ohms                                 |
| Frequency Stability  | +/-10 ppm                                 |
| FM Hum & Noise       | 50 dB                                     |

## Packaging Specifications

|                                |                            |
|--------------------------------|----------------------------|
| Individual Clam/Box Dimensions | 3.25"H x 12.60"W x 9.70" D |
| Individual Clam/Box Weight     | 3.7 lbs.                   |
| Master Pack Qty.               | 2                          |
| Master Pack Dimensions         | 9.80"H x 13.80"W x 8.10"D  |
| Master Pack Weight             | 9.40 lbs.                  |
| SKU # (Black)                  | MR F57B                    |
| UPC #                          | 0 28377 20186 8            |
| Master Pack Barcode            | 5 0028377 20186 3          |
| SKU # (White)                  | MR F57W                    |
| UPC #                          | 0 28377 20181 3            |
| Master Pack Barcode            | 5 0028377 20181 8          |

Specifications subject to change without notice.

Cobra®, CobraMarine®, Nothing Comes Close to a Cobra®, and the snake design are registered trademarks of Cobra Electronics Corporation, USA. Cobra Electronics Corporation™ is a trademark of Cobra Electronics Corporation, USA.

©2014 Cobra Electronics Corporation, 6500 West Cortland Street, Chicago, IL 60707, USA

