



## The Boat & Outboard Centre

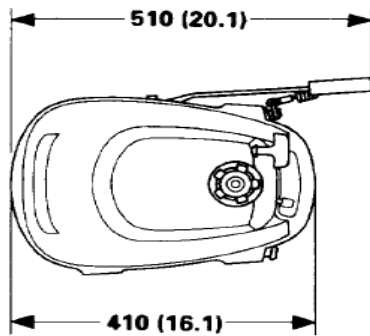
- **Honda BF 2.3**
- Type **Honda** 4-Stroke OHV - 1 cylinder
- Displacement ((cm<sup>3</sup>)) 57
- Bore x stroke ((mm)) 45 X 36
- Full throttle rpm range 5000-6000
- Rated power (hp (kw)) 2.3 (1.7) @ 5500 rpm
- Cooling system Forced Air Cooled
- Carburation 1 carburettor
- Ignition system Transistorized
- Gear ratio 2.42
- Gear shift F-N and 360 pivot
- Alternator (A) 3
- Propeller size ((inch)) 7 1/4 x 4 3/4
- Propeller: number of blades 3
- Oil pressure alert Window Oil Indicator
- Emergency Stop Switch Yes
- Direction Tiller handle
- Starting system Recoil starter
- Standard Available Shaft Lengths Short / Long
- Engine Tilt Manual
- Engine Trim Manual 4 stages
- Overall Length (mm) ((mm)) 410
- Overall Width (mm) ((mm)) 280
- Overall Height (mm) S:945
- Transom Height (mm) ((mm)) 418
- Dry Weight ((kg)) 13.5-14
- 6 Year **Honda** Domestic Warranty
- 2 Year Honda Commercial Warranty

[www.theboatandoutboardcentre.co.uk](http://www.theboatandoutboardcentre.co.uk)

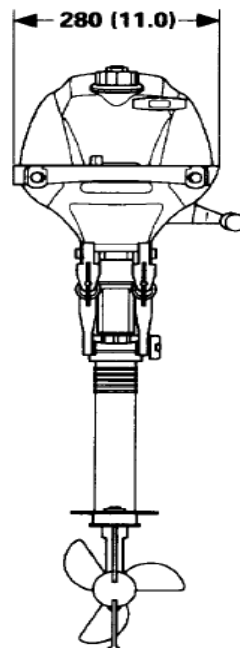
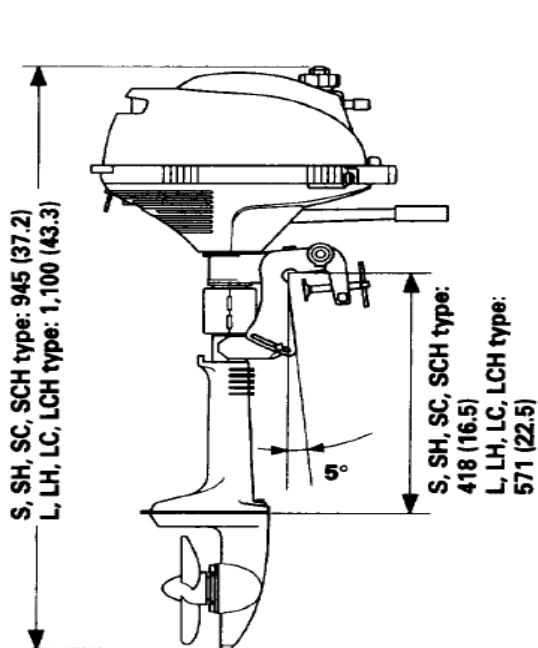
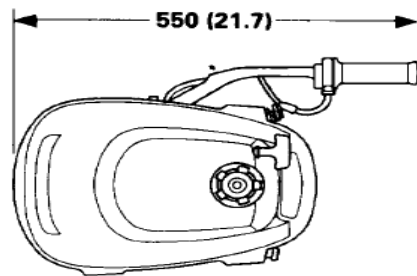


# The Boat & Outboard Centre

**S, L, SC, LC type:**



**SH, LH, SCH, LCH type:**



[www.theboatandoutboardcentre.co.uk](http://www.theboatandoutboardcentre.co.uk)

THE BOAT AND OUTBOARD CENTRE